



2 0 2 2 |

DOWNHILL
SUPERENDURO
ENDURO
TRAIL





INDEX | BIKE 2022

DOWNHILL

Summum Carbon RR / Summum Carbon R
Summum R / Summum

SUPER ENDURO

Superfoxy Carbon RR / Superfoxy Carbon R
Superfoxy R / Superfoxy

ENDURO

Foxy Carbon XR / Foxy Carbon RR / Foxy Carbon R
Foxy R / Foxy

TRAIL

Raze RR SL / Raze RR / Raze R





D O W N H I L L

DNA. LIFEblood. PASSION.

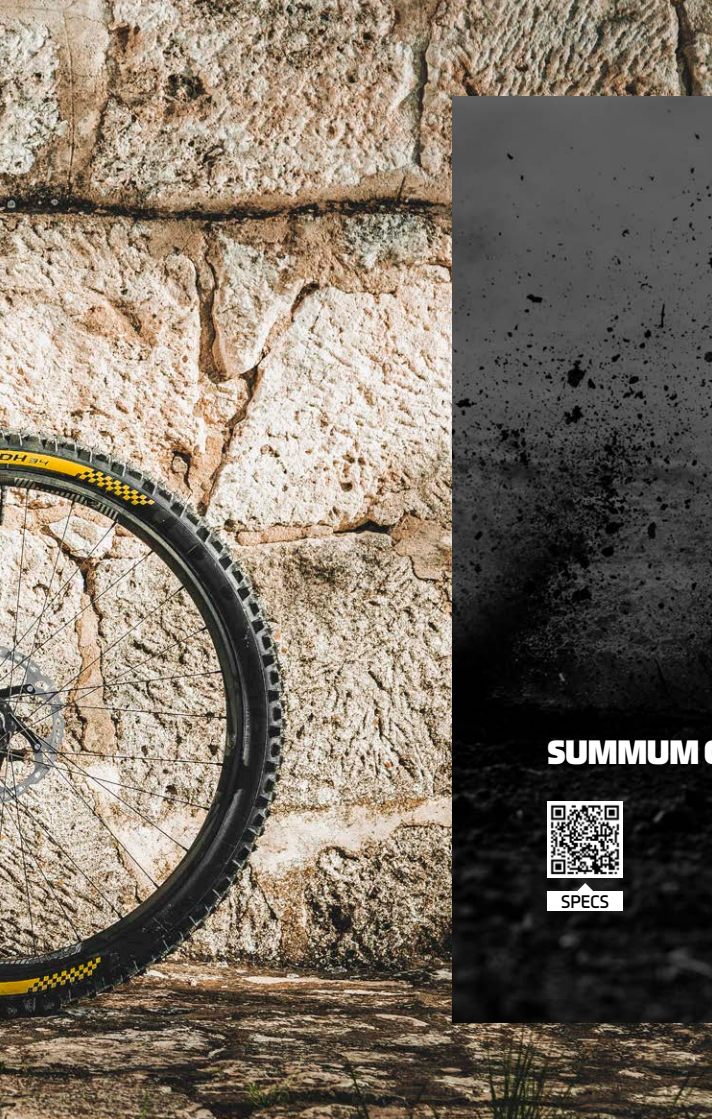
To some these are just buzz words, enthusiastically used to describe their DH bikes. For us though, it's far more than some emotive text on a glossy advert. For us they are legitimate, true and real. We live racing and we live DH. It courses through our veins, drives us forward and has been at the centre of our brand since its inception more than two decades ago.

We race to be fastest, we race to be best, we race to be at the cutting edge of development but most of all we race because we love the competition, the sport and the feeling you only get at the very limits of skill and equipment. For us there is no better driver to developing a range of gravity inspired bikes than contesting podiums in some of the harshest environments on earth, and that's not just fluffy words from a corporate marketing machine.



DH RANGE





SUMMUM CARBON RR



SPECS





DOWNHILL

SUMMUM CARBON R



SPECS





DOWNHILL



SUMMUM R



SPECS



SUMMUM

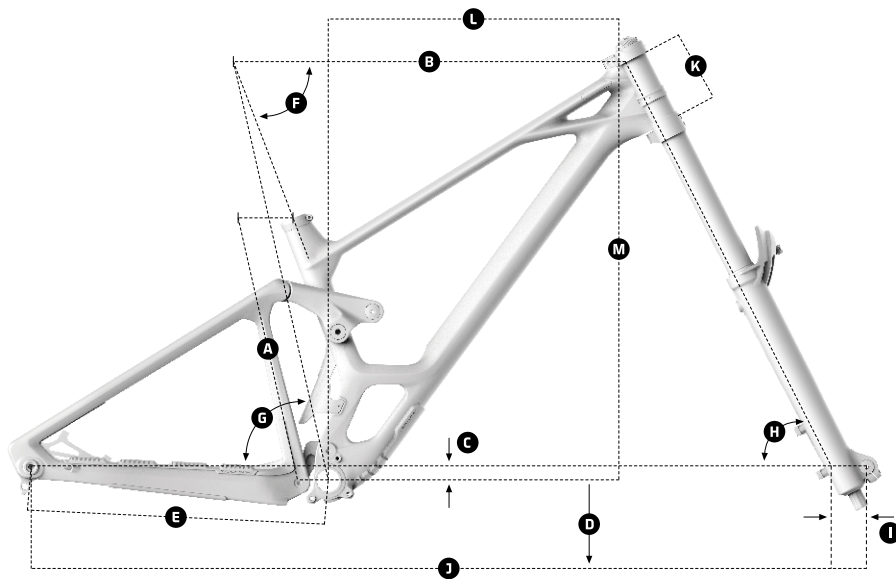


SPECS





DOWNHILL



- | | | |
|--------------------------------|-------------------------------------|---------------------------|
| A Seat Tube Length | F Seat Tube Angle, Actual | K Head Tube Length |
| B Top Tube Length | G Seat Tube Angle, Effective | L Reach |
| C Bottom Bracket Drop | H Head Tube Angle | M Stack |
| D Bottom Bracket Height | I Fork Offset | |
| E Chainstay Length | J Wheelbase | |

SUMMUM CARBON

	S	M	L	XL
A	400 mm	400 mm	400 mm	400 mm
B	575 mm	595 mm	620 mm	645 mm
C	-20 mm	-20 mm	-20 mm	-20 mm
D	350 mm	350 mm	350 mm	350 mm
E	450/455/460 mm	450/455/460 mm	450/455/460 mm	450/455/460 mm
F	69°	68.5°	69°	69°
G	77°	77°	77°	77°
H	63°	63.5°	63.5°	63.5°
I	56 mm	56 mm	56 mm	56 mm
J	1260 mm	1270 mm	1295 mm	1320 mm
K	110 mm	110 mm	112 mm	112 mm
L	430 mm	450 mm	475 mm	500 mm
M	632 mm	633 mm	632 mm	632 mm

SUMMUM CARBON MX

	S	M	L	XL
A	400 mm	400 mm	400 mm	400 mm
B	577 mm	596 mm	622 mm	647 mm
C	0 mm	0 mm	0 mm	0 mm
D	350 mm	350 mm	350 mm	350 mm
E	450/455/460 mm	450/455/460 mm	450/455/460 mm	450/455/460 mm
F	69°	69°	69°	69°
G	77°	77°	77°	77°
H	62.5°	63°	63°	63°
I	56 mm	56 mm	56 mm	56 mm
J	1260 mm	1270 mm	1295 mm	1320 mm
K	110 mm	110 mm	110 mm	110 mm
L	427 mm	445 mm	470 mm	495 mm
M	633 mm	633 mm	633 mm	633 mm

SUMMUM

	S	M	L	XL
A	400 mm	400 mm	400 mm	400 mm
B	573 mm	593 mm	618 mm	643 mm
C	-20 mm	-20 mm	-20 mm	-20 mm
D	350 mm	350 mm	350 mm	350 mm
E	450 mm	450 mm	450 mm	450 mm
F	69°	69°	69°	69°
G	77°	77°	77°	77°
H	63°	63.5°	63.5°	63.5°
I	58 mm	58 mm	58 mm	58 mm
J	1260 mm	1270 mm	1295 mm	1320 mm
K	112 mm	112 mm	112 mm	112 mm
L	430 mm	450 mm	475 mm	500 mm
M	632 mm	632 mm	632 mm	632 mm

SUMMUM MX

	S	M	L	XL
A	400 mm	400 mm	400 mm	400 mm
B	576 mm	596 mm	621 mm	646 mm
C	15 mm	15 mm	15 mm	15 mm
D	350 mm	350 mm	350 mm	350 mm
E	450 mm	450 mm	450 mm	500 mm
F	69°	69°	69°	69°
G	77°	77°	77°	77°
H	63.5°	63.5°	63.5°	63.5°
I	58 mm	58 mm	58 mm	58 mm
J	1256 mm	1270 mm	1301 mm	1326 mm
K	112 mm	112 mm	112 mm	112 mm
L	430 mm	450 mm	475 mm	500 mm
M	632 mm	632 mm	632 mm	632 mm





S U P E R E N D U R O

Some brands would like you to believe that building a SuperEnduro bike is akin to some sort of mystical alchemy. We don't. We know that if the trails are your office, the daily ride is your daily grind and the some of the worlds most progressive mountain bikers are your colleagues then designing bikes to push the dial to 11 becomes second nature.

Featuring Forward Geometry, Stealth tubing, Zero suspension system and component choices selected to hit lines not prices mean we're confident we're putting the super in SuperEnduro.



SUPER ENDURO RANGE



MONDRAKER

MAXXIS

MAXXIS

XDT

FOX



SUPERFOXY CARBON RR



SPECS

SUPER ENDURO

SUPERFOXY CARBON R



SPECS





SUPERFOXY R



SPECS

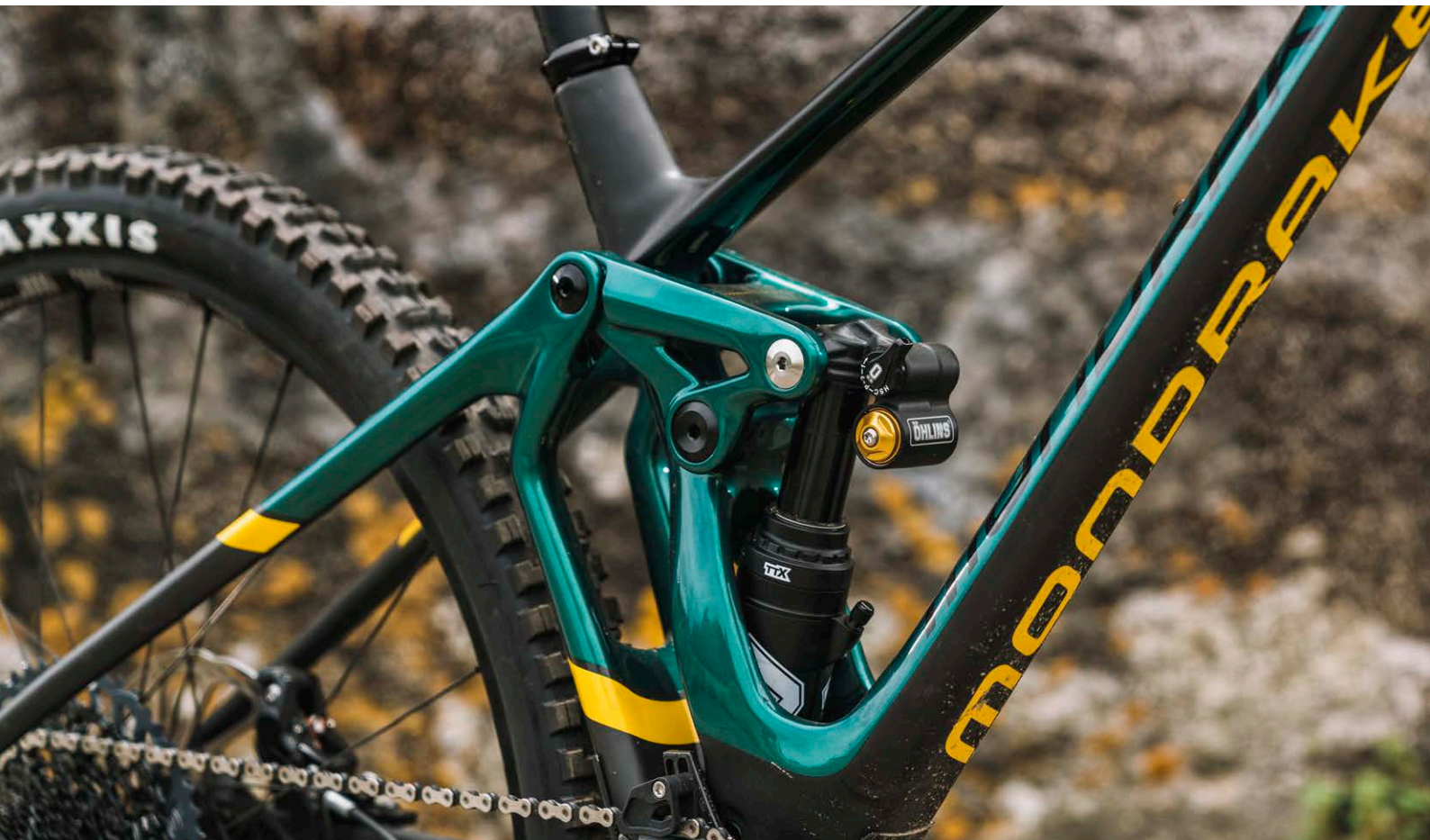


SUPERFOXY



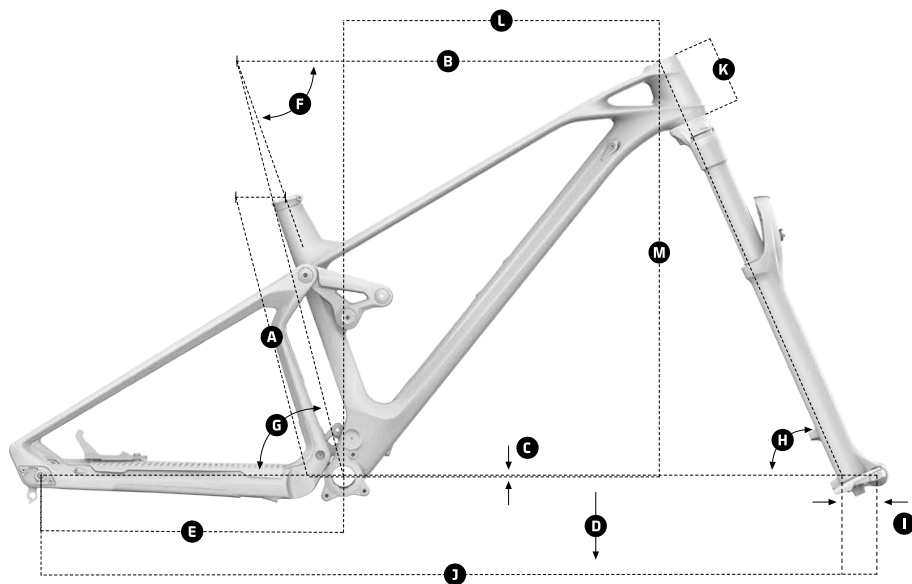
SPECS







SUPER ENDURO



A Seat Tube Length

B Top Tube Length

C Bottom Bracket Drop

D Bottom Bracket Height

E Chainstay Length

F Seat Tube Angle, Actual

G Seat Tube Angle, Effective

H Head Tube Angle

I Fork Offset

J Wheelbase

K Head Tube Length

L Reach

M Stack

SUPERFOXY CARBON

S	M	L	XL
A 380 mm	420 mm	470 mm	510 mm
B 603 mm	626 mm	651 mm	675 mm
C -14 mm	-14 mm	-14 mm	-14 mm
D 357 mm	357 mm	357 mm	357 mm
E 440 - 450 mm	440 - 450 mm	440 - 450 mm	440 - 450 mm
F 70.5°	70.5°	70.5°	70.5°
G 75.5°	75.5°	75.5°	75.5°
H 65°	65°	65°	65°
I 44 mm	44 mm	44 mm	44 mm
J 1207 mm	1230 mm	1256 mm	1283 mm
K 90 mm	100 mm	115 mm	130 mm
L 450 mm	470 mm	490 mm	510 mm
M 605 mm	614 mm	628 mm	642 mm

SUPERFOXY

S	M	L	XL
A 380 mm	420 mm	470 mm	510 mm
B 605 mm	625 mm	650 mm	670 mm
C -20 mm	-20 mm	-20 mm	-20
D 350 mm	350 mm	350 mm	350 mm
E 445 mm	445 mm	445 mm	445 mm
F 71°	71°	71°	71°
G 76°	76°	76°	76°
H 65°	65°	65°	65°
I 44 mm	44 mm	44 mm	44 mm
J 1224 mm	1245 mm	1273 mm	1293 mm
K 100 mm	110 mm	130 mm	130 mm
L 450 mm	470 mm	490 mm	510 mm
M 621 mm	621 mm	639 mm	639 mm





E N D U R O

Epic days, trails and mountain environments deserve epic bikes and that's where our enduro range excels. When its man and machine against the elements our enduro bikes don't just have you covered, they push you forward. There is nothing else to say, if you want to go faster, you will go faster.

If conquering the seemingly unconquerable is today's goal, you want a Mondraker enduro.



ENDURO RANGE



MONDRAKER

MAXXIS

MAXXIS

36

DT SWISS

DT SWISS

26



FOXY CARBON RR



SPECS

ENDURO



FOXY CARBON XR



SPECS

FOXY CARBON R



SPECS



ENDURO



FOXY R



SPECS

FOXY

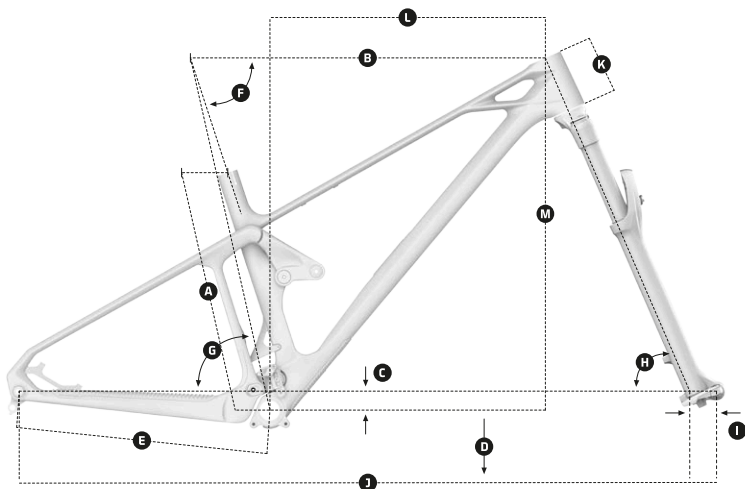


SPECS









- A** Seat Tube Length
- B** Top Tube Length
- C** Bottom Bracket Drop
- D** Bottom Bracket Height
- E** Chainstay Length
- F** Seat Tube Angle, Actual
- G** Seat Tube Angle, Effective
- H** Head Tube Angle
- I** Fork Offset
- J** Wheelbase
- K** Head Tube Length
- L** Reach
- M** Stack

FOXY CARBON XR (STANDARD)

S	M	L	XL
A 375 mm	415 mm	445 mm	500 mm
B 600 mm	620 mm	650 mm	670 mm
C -19 mm	-19 mm	-19 mm	-19 mm
D 354 mm	354 mm	354 mm	354 mm
E 435 mm	435 mm	435 mm	435 mm
F 70.2°	70.2°	70.2°	70.2°
G 75.5°	75.5°	75.5°	75.5°
H 64.5°	64.5°	64.5°	64.5°
I 44 mm	44 mm	44 mm	44 mm
J 1208 mm	1231 mm	1257 mm	1283 mm
K 90 mm	100 mm	115 mm	130 mm
L 440 mm	460 mm	480 mm	500 mm
M 617 mm	627 mm	641 mm	655 mm

FOXY CARBON XR (LOW)

S	M	L	XL
A 375 mm	415 mm	445 mm	500 mm
B 600 mm	620 mm	650 mm	670 mm
C -24 mm	-24 mm	-24 mm	-24 mm
D 349 mm	349 mm	349 mm	349 mm
E 445 mm	445 mm	445 mm	445 mm
F 69.8°	69.8°	69.8°	69.8°
G 75°	75°	75°	75°
H 64°	64°	64°	64°
I 44 mm	44 mm	44 mm	44 mm
J 1213 mm	1238 mm	1264 mm	1290 mm
K 90 mm	100 mm	115 mm	130 mm
L 436 mm	456 mm	476 mm	496 mm
M 620 mm	630 mm	644 mm	658 mm

FOXY CARBON (STANDARD)

S	M	L	XL
A 375 mm	415 mm	445 mm	500 mm
B 600 mm	620 mm	650 mm	670 mm
C -23 mm	-23 mm	-23 mm	-23 mm
D 350 mm	350 mm	350 mm	350 mm
E 435 mm	435 mm	435 mm	435 mm
F 70.5°	70.5°	70.5°	70.5°
G 76°	76°	76°	76°
H 65°	65°	65°	65°
I 44 mm	44 mm	44 mm	44 mm
J 1203 mm	1227 mm	1253 mm	1279 mm
K 90 mm	100 mm	115 mm	130 mm
L 445 mm	465 mm	485 mm	505 mm
M 615 mm	623 mm	637 mm	651 mm

FOXY CARBON (LOW)

S	M	L	XL
A 375 mm	415 mm	445 mm	500 mm
B 600 mm	620 mm	650 mm	670 mm
C -28 mm	-28 mm	-28 mm	-28 mm
D 345 mm	345 mm	345 mm	345 mm
E 445 mm	445 mm	445 mm	445 mm
F 70°	70°	70°	70°
G 75.5°	75.5°	75.5°	75.5°
H 64.5°	64.5°	64.5°	64.5°
I 44 mm	44 mm	44 mm	44 mm
J 1210 mm	1233 mm	1260 mm	1286 mm
K 90 mm	100 mm	115 mm	130 mm
L 440 mm	460 mm	480 mm	500 mm
M 617 mm	627 mm	641 mm	656 mm

FOXY

S	M	L	XL
A 380 mm	420 mm	470 mm	510 mm
B 606 mm	629 mm	654 mm	678 mm
C -21 mm	-21 mm	-21 mm	-21 mm
D 355 mm	355 mm	355 mm	355 mm
E 435 mm	435 mm	435 mm	435 mm
F 71°	71°	71°	71°
G 76°	76°	76°	76°
H 66°	66°	66°	66°
I 44 mm	44 mm	44 mm	44 mm
J 1193 mm	1222 mm	1248 mm	1274 mm
K 90 mm	100 mm	115 mm	130 mm
L 450 mm	475 mm	495 mm	515 mm
M 606 mm	615 mm	630 mm	643 mm





T R A I L

So, you want a bike to go over a variety of terrain, as quickly as possible and yet still have the versatility to turn on the style on the descents? Well then walk this way....

Our new Raze is the bike every mountain biker needs in the quiver. Light, fast and nimble enough to upset the ordinary on the XC podium but thanks to Forward Geometry, 65.5 degree head angle, a 150mm fork and a suspension platform refined on the DH World Cup circuit its equally happy carrying you to success in the local enduro race, smashing the laps at the bike park and getting all sorts of sideways at the trails. Yeah, the Raze is the riding buddy you can't live without.



TRAIL RANGE





RAZE RR



SPECS

TRAIL



RAZE RR SL



SPECS

RAZE R



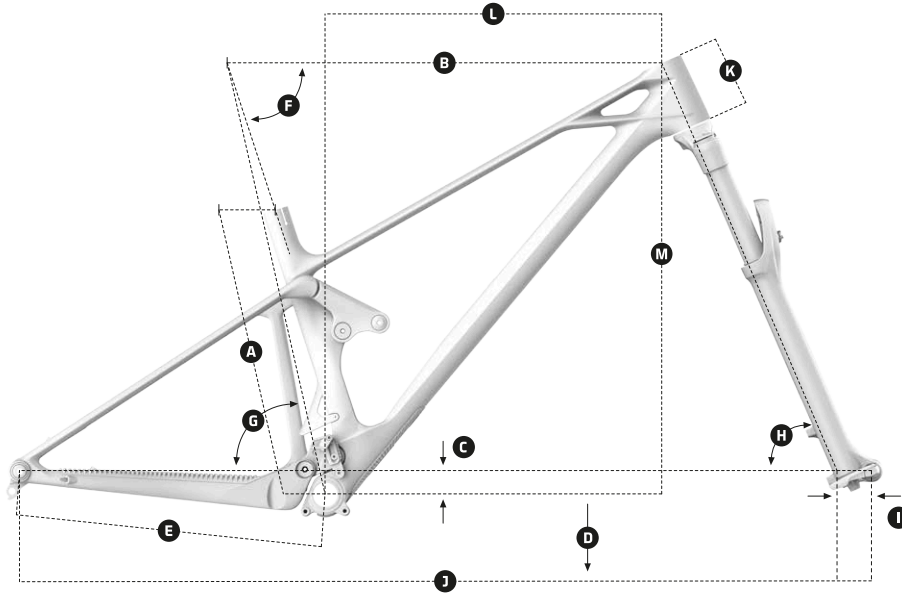
SPECS







TRAIL



A Seat Tube Length

B Top Tube Length

C Bottom Bracket Drop

D Bottom Bracket Height

E Chainstay Length

F Seat Tube Angle, Actual

G Seat Tube Angle, Effective

H Head Tube Angle

I Fork Offset

J Wheelbase

K Head Tube Length

L Reach

M Stack

RAZE

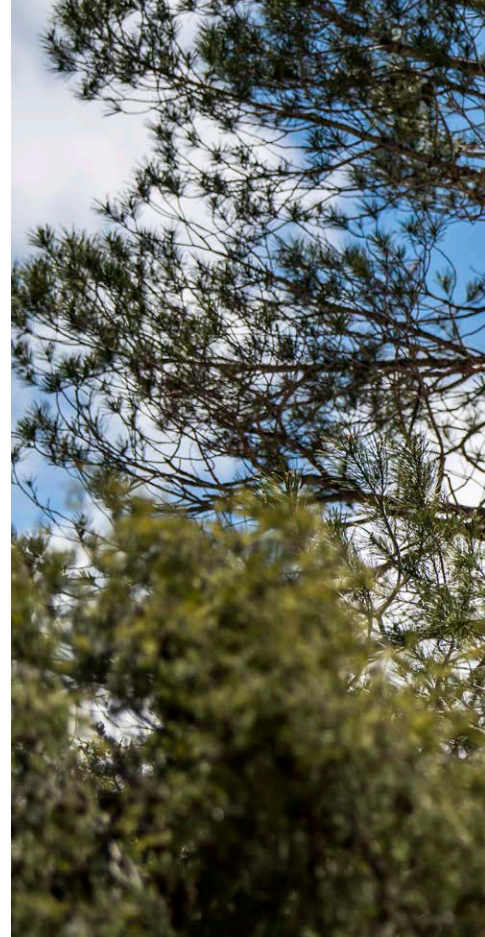
S	M	L	XL
A 375 mm	415 mm	445 mm	500 mm
B 595 mm	620 mm	645 mm	670 mm
C -30 mm	-30 mm	-30 mm	-30 mm
D 343 mm	343 mm	343 mm	343 mm
E 435 mm	435 mm	435 mm	435 mm
F 71°	71°	71°	71°
G 77°	77°	77°	77°
H 66°	66°	66°	66°
I 44 mm	44 mm	44 mm	44 mm
J 1193 mm	1217 mm	1243 mm	1269 mm
K 90 mm	100 mm	115 mm	130 mm
L 450 mm	470 mm	490 mm	510 mm
M 608 mm	617 mm	631 mm	645 mm





All information and pictures on this catalogue is provided for information purposes only and does not constitute a legal contract between Mondraker and any person or entity. Specifications, geometries or any other technical information published is subject to change without prior notice.

© All trademarks and models are property of Blue Factory Team, S.L.U. and are protected by current laws and applicable international agreements.



MONDRAKER.COM





A vertical, blurred photograph of a forest with green trees and a bright sky, serving as a background for the left side of the page.

INDEX | BIKE 2022

E-MTB SUPER ENDURO

Level RR / Level R

E-MTB ENDURO

Crafty Carbon RR SL / Crafty Carbon XR /
Crafty Carbon RR / Crafty Carbon R
Crafty XR / Crafty RR / Crafty R / Crafty SE
Dusk RR / Dusk R / Dusk
Chaser R / Chaser

E-MTB TRAIL

Prime R / Prime 29 / Prime +
Thundra

URBAN CROSS

Prime RX / Prime X
Thundra X





E-MTB SUPER ENDURO

Some brands would like you to believe that building a SuperEnduro bike is akin to some sort of mystical alchemy. We don't. We know that if the trails are your office, the daily ride is your daily grind and the some of the worlds most progressive mountain bikers are your colleagues then designing bikes to push the dial to 11 becomes second nature.

Featuring Forward Geometry, Stealth tubing, Zero suspension system and component choices selected to hit lines not prices mean we're confident we're putting the super in SuperEnduro.



E-MTB SUPER ENDURO RANGE



MONDRAKER
MONDRAKER

MAXXIS

MAXXIS

38

ERACEP

MAXXIS



LEVEL RR



SPECS

E-MTB SUPER ENDURO

LEVEL R



SPECS

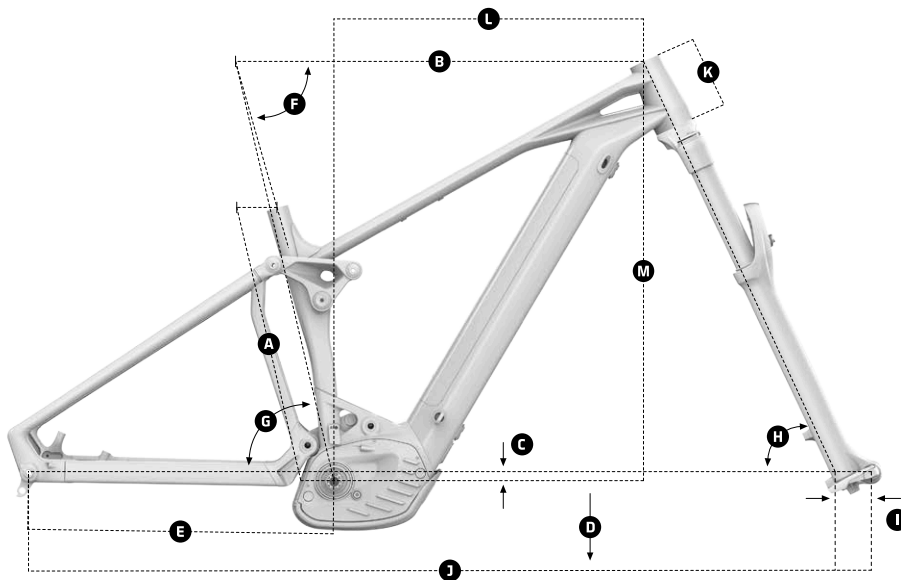








E-MTB SUPER ENDURO



- | | | |
|--------------------------------|-------------------------------------|---------------------------|
| A Seat Tube Length | F Seat Tube Angle, Actual | K Head Tube Length |
| B Top Tube Length | G Seat Tube Angle, Effective | L Reach |
| C Bottom Bracket Drop | H Head Tube Angle | M Stack |
| D Bottom Bracket Height | I Fork Offset | |
| E Chainstay Length | J Wheelbase | |

LEVEL

	S	M	L	XL
A	380 mm	420 mm	450 mm	490 mm
B	602 mm	622 mm	647 mm	667 mm
C	-15 mm	-15 mm	-15 mm	-15 mm
D	357 mm	357 mm	357 mm	357 mm
E	455 mm	455 mm	455 mm	455 mm
F	73.5°	73.5°	73.5°	73.5°
G	76.5°	76.5°	76.5°	76.5°
H	65°	65°	65°	65°
I	44 mm	44 mm	44 mm	44 mm
J	1250 mm	1270 mm	1290 mm	1310 mm
K	110 mm	110 mm	130 mm	130 mm
L	450 mm	470 mm	490 mm	510 mm
M	632 mm	632 mm	652 mm	652 mm





E-MTB ENDURO

Epic days, trails and mountain environments deserve epic bikes and that's where our enduro range excels. When its man and machine against the elements our enduro bikes don't just have you covered, they push you forward. There is nothing else to say, if you want to go faster, you will go faster.

If conquering the seemingly unconquerable is today's goal, you want a Mondraker enduro.



E-MTB ENDURO RANGE



MONDRAKER
MONDRAKER

MAXXIS
JXS

MAXXIS
JXS

FOX

VPTON

ZERO



CRAFTY CARBON RR SL



SPECS



CRAFTY CARBON RR



SPECS



CRAFTY CARBON R



SPECS











CRAFTY RR



SPECS

E-MTB ENDURO



CRAFTY XR



SPECS



CRAFTY R / COLOR 1



SPECS

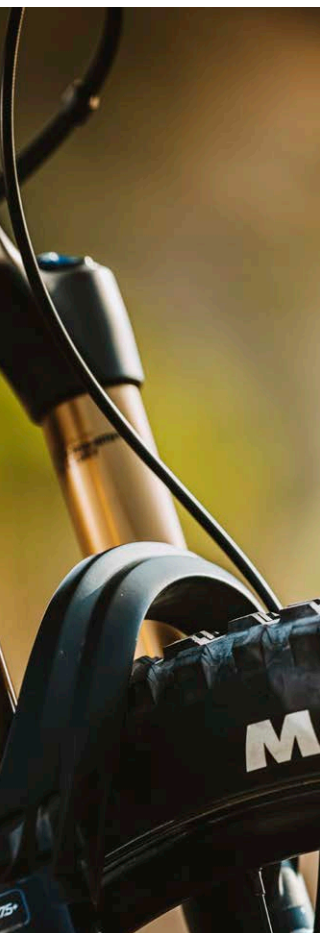
CRAFTY R / COLOR 2

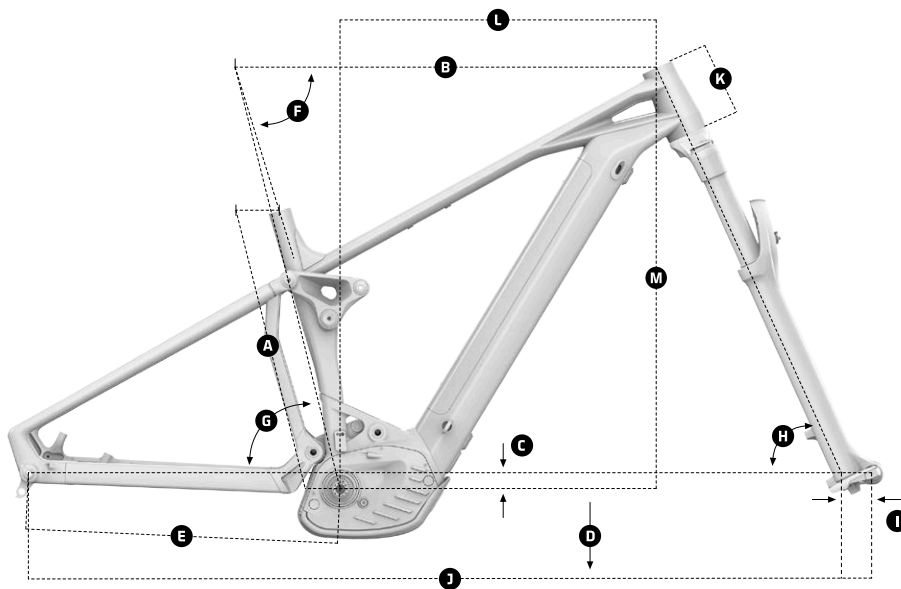


SPECS









A Seat Tube Length

B Top Tube Length

C Bottom Bracket Drop

D Bottom Bracket Height

E Chainstay Length

F Seat Tube Angle, Actual

G Seat Tube Angle, Effective

H Head Tube Angle

I Fork Offset

J Wheelbase

K Head Tube Length

L Reach

M Stack

CRAFTY CARBON XR

S	M	L	XL
A 380 mm	420 mm	450 mm	480 mm
B 615 mm	635 mm	660 mm	680 mm
C -17 mm	-17 mm	-17 mm	-17 mm
D 358 mm	358 mm	358 mm	358 mm
E 455 mm	455 mm	455 mm	455 mm
F 72.5°	72.5°	72.5°	72.5°
G 75°	75°	75°	75°
H 64.5°	64.5°	64.5°	64.5°
I 44 mm	44 mm	44 mm	44 mm
J 1235 mm	1255 mm	1280 mm	1300 mm
K 110 mm	110 mm	130 mm	130 mm
L 440 mm	460 mm	480 mm	500 mm
M 632 mm	632 mm	650 mm	650 mm

CRAFTY XR

S	M	L	XL
A 380 mm	420 mm	450 mm	480 mm
B 615 mm	626 mm	660 mm	680 mm
C -18 mm	-18 mm	-18 mm	-18 mm
D 349 mm	349 mm	349 mm	349 mm
E 455 mm	455 mm	455 mm	455 mm
F 72.5°	72.5°	72.5°	72.5°
G 75°	75°	75°	75°
H 64.5°	64.5°	64.5°	64.5°
I 44 mm	44 mm	44 mm	44 mm
J 1235 mm	1255 mm	1280 mm	1300 mm
K 110 mm	110 mm	130 mm	130 mm
L 440 mm	460 mm	480 mm	500 mm
M 632 mm	632 mm	650 mm	650 mm

CRAFTY CARBON

S	M	L	XL
A 380 mm	420 mm	450 mm	480 mm
B 605 mm	625 mm	650 mm	670 mm
C -25 mm	-25 mm	-25 mm	-25 mm
D 350 mm	350 mm	350 mm	350 mm
E 455 mm	455 mm	455 mm	455 mm
F 73.5°	73.5°	73.5°	73.5°
G 76°	76°	76°	76°
H 65.5°	65.5°	65.5°	65.5°
I 44 mm	44 mm	44 mm	44 mm
J 1225 mm	1245 mm	1265 mm	1285 mm
K 110 mm	110 mm	130 mm	130 mm
L 450 mm	470 mm	490 mm	510 mm
M 622 mm	622 mm	640 mm	640 mm

CRAFTY

S	M	L	XL
A 380 mm	420 mm	450 mm	490 mm
B 605 mm	625 mm	650 mm	670 mm
C -25 mm	-25 mm	-25 mm	-25 mm
D 350 mm	350 mm	350 mm	350 mm
E 455 mm	455 mm	455 mm	455 mm
F 73.5°	73.5°	73.5°	73.5°
G 76°	76°	76°	76°
H 65.5°	65.5°	65.5°	65.5°
I 44 mm	44 mm	44 mm	44 mm
J 1225 mm	1245 mm	1265 mm	1285 mm
K 110 mm	110 mm	130 mm	130 mm
L 450 mm	470 mm	490 mm	510 mm
M 622 mm	622 mm	640 mm	640 mm





E-MTB ENDURO



DUSK RR



SPECS

DUSK R



SPECS



DUSK



SPECS

E-MTB ENDURO

CHASER R



SPECS





E-MTB ENDURO



CHASER / COLOR 1



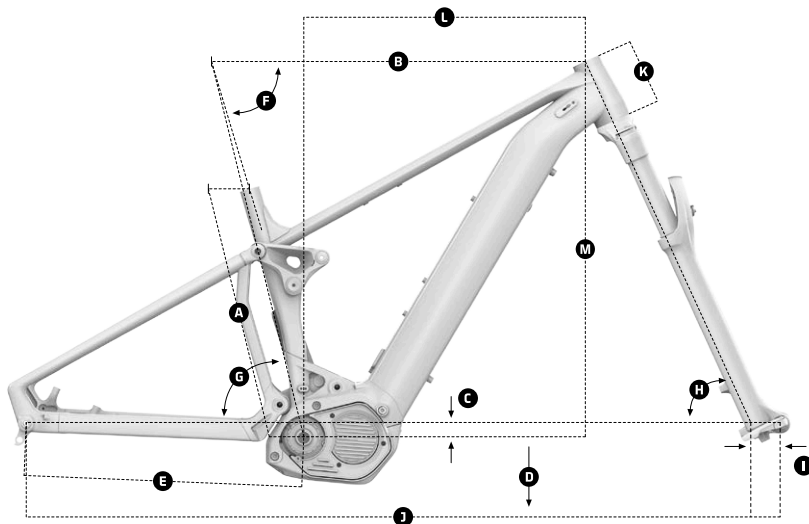
SPECS

CHASER / COLOR 2



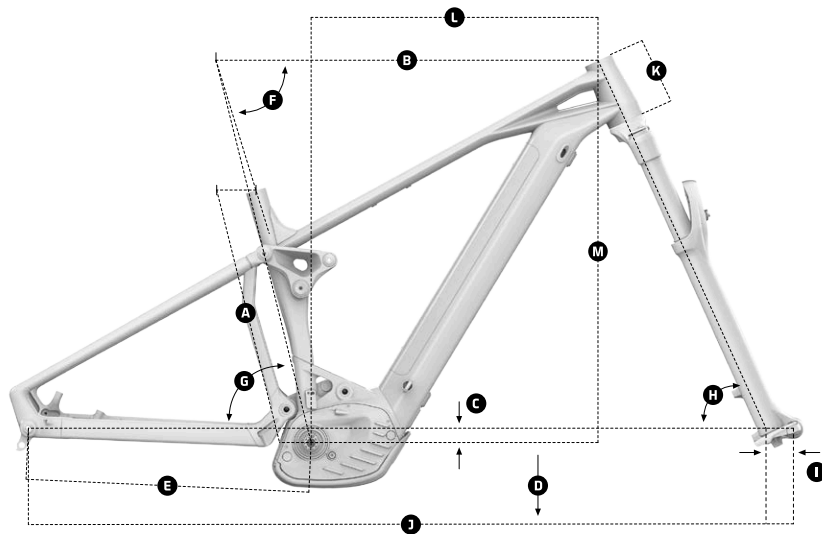
SPECS





DUSK

Size	S	M	L	XL
A Seat Tube Length	380 mm	420 mm	450 mm	490 mm
B Top Tube Length	605 mm	625 mm	650 mm	670 mm
C Bottom Bracket Drop	-25 mm	-25 mm	-25 mm	-25 mm
D Bottom Bracket Height	350 mm	350 mm	350 mm	350 mm
E Chainstay Legth	455 mm	455 mm	455 mm	455 mm
F Seat Tube Angle, Actual	73.5°	73.5°	73.5°	73.5°
G Seat Tube Angle, Effective	76°	76°	76°	76°
H Head Tube Angle	65.5°	65.5°	65.5°	65.5°
I Fork Offset	44 mm	44 mm	44 mm	44 mm
J Wheelbase	1225 mm	1245 mm	1265 mm	1285 mm
K Head Tube Length	110 mm	110 mm	130 mm	130 mm
L Reach	450 mm	470 mm	490 mm	510 mm
M Stack	622 mm	622 mm	640 mm	640 mm



CHASER

Size	S	M	L	XL
A Seat Tube Length	380 mm	420 mm	450 mm	490 mm
B Top Tube Length	605 mm	625 mm	650 mm	670 mm
C Bottom Bracket Drop	-25 mm	-25 mm	-25 mm	-25 mm
D Bottom Bracket Height	336 mm	336 mm	336 mm	336 mm
E Chainstay Legth	455 mm	455 mm	455 mm	455 mm
F Seat Tube Angle, Actual	73.5°	73.5°	73.5°	73.5°
G Seat Tube Angle, Effective	76°	76°	76°	76°
H Head Tube Angle	65.5°	65.5°	65.5°	65.5°
I Fork Offset	44 mm	44 mm	44 mm	44 mm
J Wheelbase	1225 mm	1245 mm	1265 mm	1285 mm
K Head Tube Length	110 mm	110 mm	130 mm	130 mm
L Reach	450 mm	470 mm	490 mm	510 mm
M Stack	622 mm	622 mm	640 mm	640 mm





E-MTB TRAIL

So, you want a bike to go over a variety of terrain, as quickly as possible and yet still have the versatility to turn on the style on the descents? Easy to manage, easy to handle, well then walk this way.



E-MTB TRAIL RANGE





PRIMER



SPECS

E-MTB TRAIL



PRIME / COLOR 1



SPECS

PRIME / COLOR 2



SPECS



E-MTB TRAIL

THUNDRA



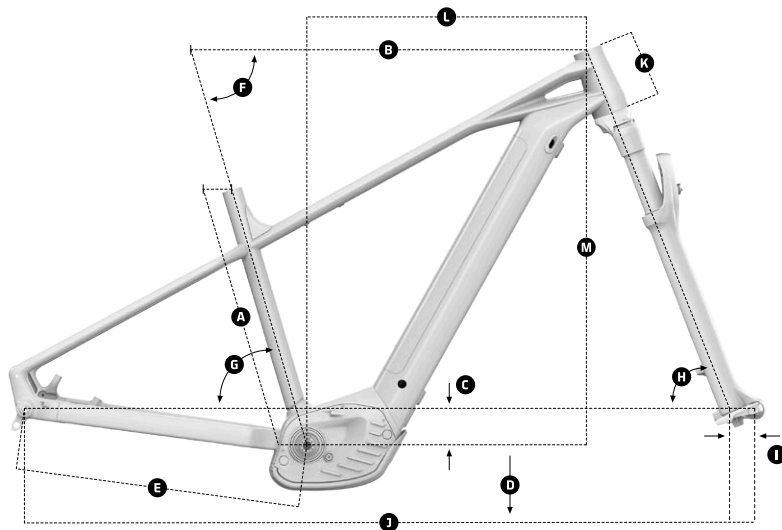
SPECS











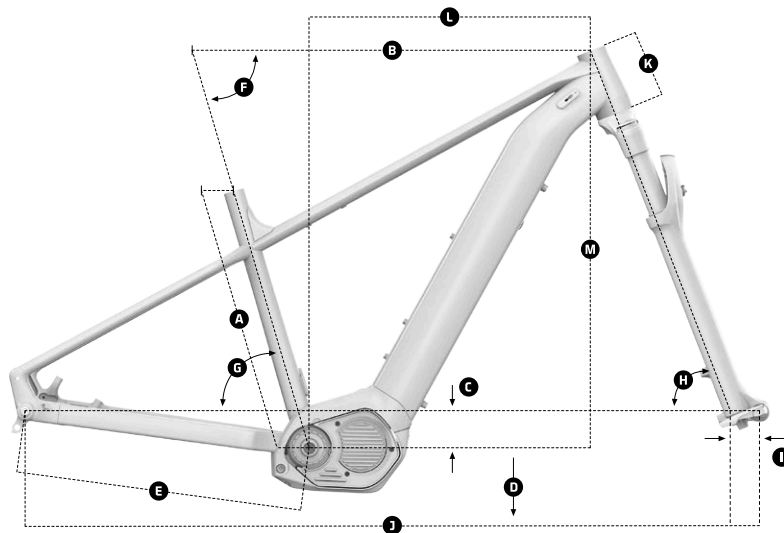
- A** Seat Tube Length
- B** Top Tube Length
- C** Bottom Bracket Drop
- D** Bottom Bracket Height
- E** Chainstay Length
- F** Seat Tube Angle, Actual
- G** Seat Tube Angle, Effective
- H** Head Tube Angle
- I** Fork Offset
- J** Wheelbase
- K** Head Tube Length
- L** Reach
- M** Stack

PRIME R / PRIME 29

	XS	S	M	L	XL
A	380 mm	390 mm	430 mm	470 mm	510 mm
B	600 mm	615 mm	645 mm	670 mm	700 mm
C	-60 mm	-60 mm	-60 mm	-60 mm	-60 mm
D	318 mm	318 mm	318 mm	318 mm	318 mm
E	455 mm	455 mm	455 mm	455 mm	455 mm
F	73.5°	73.5°	73.5°	73.5°	73.5°
G	73.5°	73.5°	73.5°	73.5°	73.5°
H	69°	69°	69°	69°	69°
I	51 mm	51 mm	51 mm	51 mm	51 mm
J	1138 mm	1153 mm	1183 mm	1210 mm	1240 mm
K	110 mm	110 mm	110 mm	130 mm	130 mm
L	410 mm	425 mm	455 mm	480 mm	505 mm
M	640 mm	640 mm	640 mm	658 mm	658 mm

PRIME +

	XS	S	M	L	XL
A	380 mm	390 mm	430 mm	470 mm	510 mm
B	600 mm	615 mm	645 mm	670 mm	700 mm
C	-60 mm	-60 mm	-60 mm	-60 mm	-60 mm
D	305 mm	305 mm	305 mm	305 mm	305 mm
E	455 mm	455 mm	455 mm	455 mm	455 mm
F	73.5°	73.5°	73.5°	73.5°	73.5°
G	73.5°	73.5°	73.5°	73.5°	73.5°
H	69°	69°	69°	69°	69°
I	51 mm	51 mm	51 mm	51 mm	51 mm
J	1138 mm	1153 mm	1183 mm	1210 mm	1240 mm
K	110 mm	110 mm	110 mm	130 mm	130 mm
L	410 mm	425 mm	455 mm	480 mm	505 mm
M	640 mm	640 mm	640 mm	658 mm	658 mm



- A** Seat Tube Length
- B** Top Tube Length
- C** Bottom Bracket Drop
- D** Bottom Bracket Height
- E** Chainstay Length
- F** Seat Tube Angle, Actual
- G** Seat Tube Angle, Effective
- H** Head Tube Angle
- I** Fork Offset
- J** Wheelbase
- K** Head Tube Length
- L** Reach
- M** Stack

THUNDRA

	XS	S	M	L	XL
A	380 mm	390 mm	430 mm	470 mm	510 mm
B	600 mm	615 mm	645 mm	670 mm	700 mm
C	-60 mm	-60 mm	-60 mm	-60 mm	-60 mm
D	317 mm	317 mm	317 mm	317 mm	317 mm
E	455 mm	455 mm	455 mm	455 mm	455 mm
F	73.5°	73.5°	73.5°	73.5°	73.5°
G	73.5°	73.5°	73.5°	73.5°	73.5°
H	69°	69°	69°	69°	69°
I	51 mm	51 mm	51 mm	51 mm	51 mm
J	1138 mm	1153 mm	1183 mm	1210 mm	1240 mm
K	110 mm	110 mm	110 mm	130 mm	130 mm
L	410 mm	425 mm	455 mm	480 mm	505 mm
M	640 mm	640 mm	640 mm	658 mm	658 mm





URBAN CROSS

We all love to 'shred the gnarl, schrap the berms and smash some trails' but during the week most of us also need to commute to work, pop to the shops or simply take in some light daily exercise and this is where the Mondraker Urban range lives.

Our urban bikes are designed to incorporate everything we've learned from twenty years of MTB racing repackaged in a 'down-town' spec to provide the perfect companion for tackling the metropolis.



URBAN CROSS RANGE

URBAN CROSS

PRIME RX



SPECS



PRIME X / COLOR 1



SPECS



PRIME X / COLOR 2



SPECS

URBAN CROSS

THUNDRA X



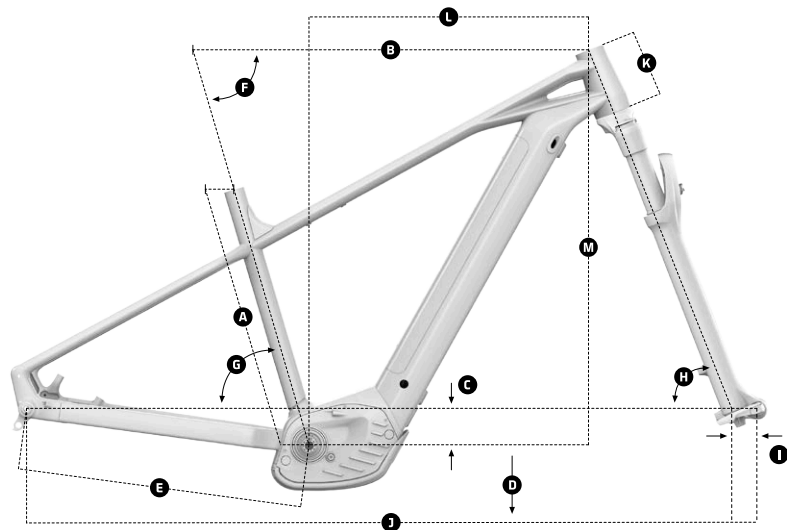
SPECS





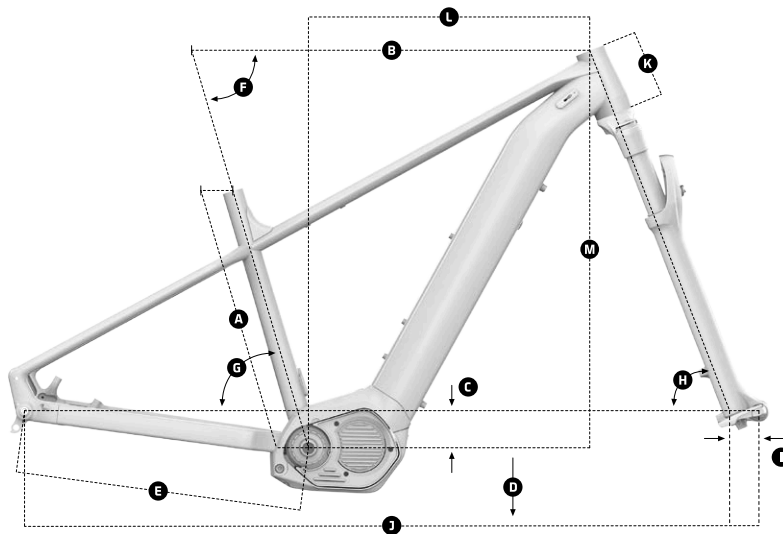






PRIME RX / PRIMEX

Size	XS	S	M	L	XL
A Seat Tube Length	380 mm	390 mm	430 mm	470 mm	510 mm
B Top Tube Length	600 mm	615 mm	645 mm	670 mm	700 mm
C Bottom Bracket Drop	-70 mm	-70 mm	-70 mm	-70 mm	-70 mm
D Bottom Bracket Height	308 mm	308 mm	308 mm	308 mm	308 mm
E Chainstay Legth	455 mm	455 mm	455 mm	455 mm	455 mm
F Seat Tube Angle, Actual	74.5°	74.5°	74.5°	74.5°	74.5°
G Seat Tube Angle, Effective	74.5°	74.5°	74.5°	74.5°	74.5°
H Head Tube Angle	70°	70°	70°	70°	70°
I Fork Offset	51 mm	51 mm	51 mm	51 mm	51 mm
J Wheelbase	1132 mm	1148 mm	1178 mm	1205 mm	1235 mm
K Head Tube Length	110 mm	110 mm	110 mm	130 mm	130 mm
L Reach	415 mm	430 mm	460 mm	485 mm	510 mm
M Stack	630 mm	630 mm	630 mm	648 mm	648 mm



THUNDRA X

Size	XS	S	M	L	XL
A Seat Tube Length	380 mm	390 mm	430 mm	470 mm	510 mm
B Top Tube Length	600 mm	615 mm	645 mm	670 mm	700 mm
C Bottom Bracket Drop	-60 mm	-60 mm	-60 mm	-60 mm	-60 mm
D Bottom Bracket Height	317 mm	317 mm	317 mm	317 mm	317 mm
E Chainstay Length	455 mm	455 mm	455 mm	455 mm	455 mm
F Seat Tube Angle, Actual	73.5°	73.5°	73.5°	73.5°	73.5°
G Seat Tube Angle, Effective	73.5°	73.5°	73.5°	73.5°	73.5°
H Head Tube Angle	69°	69°	69°	69°	69°
I Fork Offset	51 mm	51 mm	51 mm	51 mm	51 mm
J Wheelbase	1138 mm	1153 mm	1183 mm	1210 mm	1240 mm
K Head Tube Length	110 mm	110 mm	110 mm	130 mm	130 mm
L Reach	410 mm	425 mm	455 mm	480 mm	505 mm
M Stack	640 mm	640 mm	640 mm	658 mm	658 mm





All information and pictures on this catalogue is provided for information purposes only and does not constitute a legal contract between Mondraker and any person or entity. Specifications, geometries or any other technical information published is subject to change without prior notice.

© © All trademarks and models are property of Blue Factory Team, S.L.U. and are protected by current laws and applicable international agreements.



MONDRAKER.COM



2 0 2 2

CROSS COUNTRY





INDEX | BIKE 2022

XC RACE

F-Podium DC RR / F-Podium DC R / F-Podium DC
F-Podium R / F-Podium
Podium RR SL / Podium R / Podium

XC PRO

Chrono Carbon RR / Chrono Carbon R / Chrono Carbon
Chrono R / Chrono





X C R A C E

When it comes to mountain biking there's nothing more pure and real than XC. It's where it all started and it's a discipline that's stood the test of time. XC riders operating at the sharp end of the results sheet are svelte, athletic, versatile and resilient, we felt it fitting to build a range of bikes that share the same qualities.

Our XC bikes all feature a Cross Country flavoured Forward Geometry, Stealth tubing and a lifetime warranty. Throw this technology into the mixing pot along with the knowledge that we offer not only the lightest XC hardtail available today but also the lightest linkage driven XC frame too and it's easy to see how the Primafior Mondraker World Cup team are making such a habit of collecting medals.



XC RACE RANGE





F-PODIUM DC RR



SPECS





XC RACE

F-PODIUM DC R



SPECS





XC RACE

F-PODIUM DC



SPECS





F-PODIUM R



SPECS



F-PODIUM

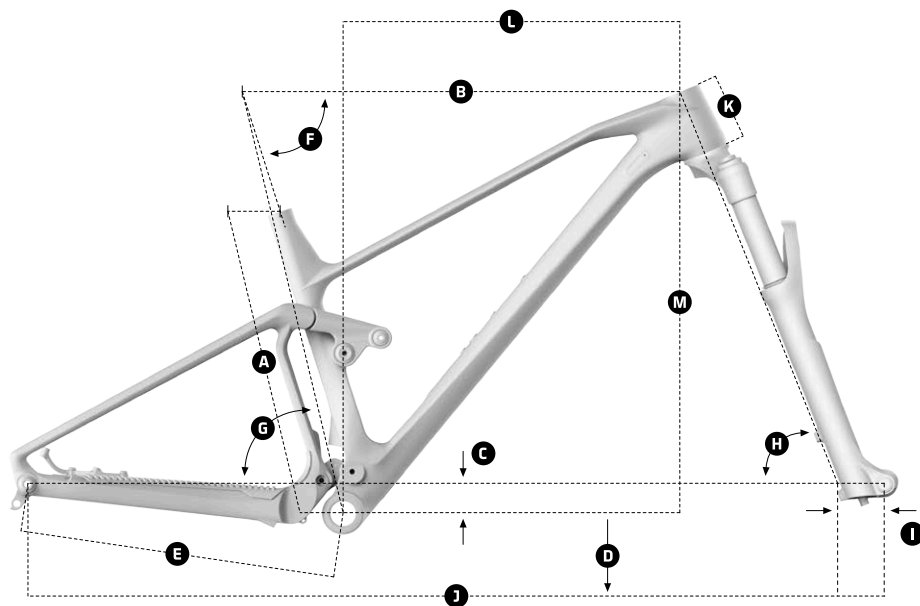


SPECS









A Seat Tube Length

B Top Tube Length

C Bottom Bracket Drop

D Bottom Bracket Height

E Chainstay Length

F Seat Tube Angle, Actual

G Seat Tube Angle, Effective

H Head Tube Angle

I Fork Offset

J Wheelbase

K Head Tube Length

L Reach

M Stack

F-PODIUM DC

S	M	L	XL
A 390 mm	420 mm	470 mm	510 mm
B 583 mm	603 mm	629 mm	654 mm
C -31 mm	-31 mm	-31 mm	-31 mm
D 337 mm	337 mm	337 mm	337 mm
E 432 mm	432 mm	432 mm	432 mm
F 70.8°	70.8°	70.8°	70.8°
G 75.1°	75.1°	75.1°	75.1°
H 66.8°	66.8°	66.8°	66.8°
I 44 mm	44 mm	44 mm	44 mm
J 1146 mm	1167 mm	1191 mm	1217 mm
K 85 mm	90 mm	100 mm	115 mm
L 430 mm	450 mm	470 mm	490 mm
M 577 mm	582 mm	591 mm	605 mm

F-PODIUM

S	M	L	XL
A 390 mm	420 mm	470 mm	510 mm
B 580 mm	600 mm	625 mm	650 mm
C -35 mm	-35 mm	-35 mm	-35 mm
D 320 mm	320 mm	320 mm	320 mm
E 432 mm	432 mm	432 mm	432 mm
F 71.3°	71.3°	71.3°	71.3°
G 75.8°	75.8°	75.8°	75.8°
H 67.3°	67.3°	67.3°	67.3°
I 44 mm	44 mm	44 mm	44 mm
J 1138 mm	1159 mm	1183 mm	1209 mm
K 85 mm	90 mm	100 mm	115 mm
L 437 mm	453 mm	473 mm	493 mm
M 570 mm	575 mm	584 mm	598 mm





PODIUM R



SPECS

XC RACE



PODIUM RR SL



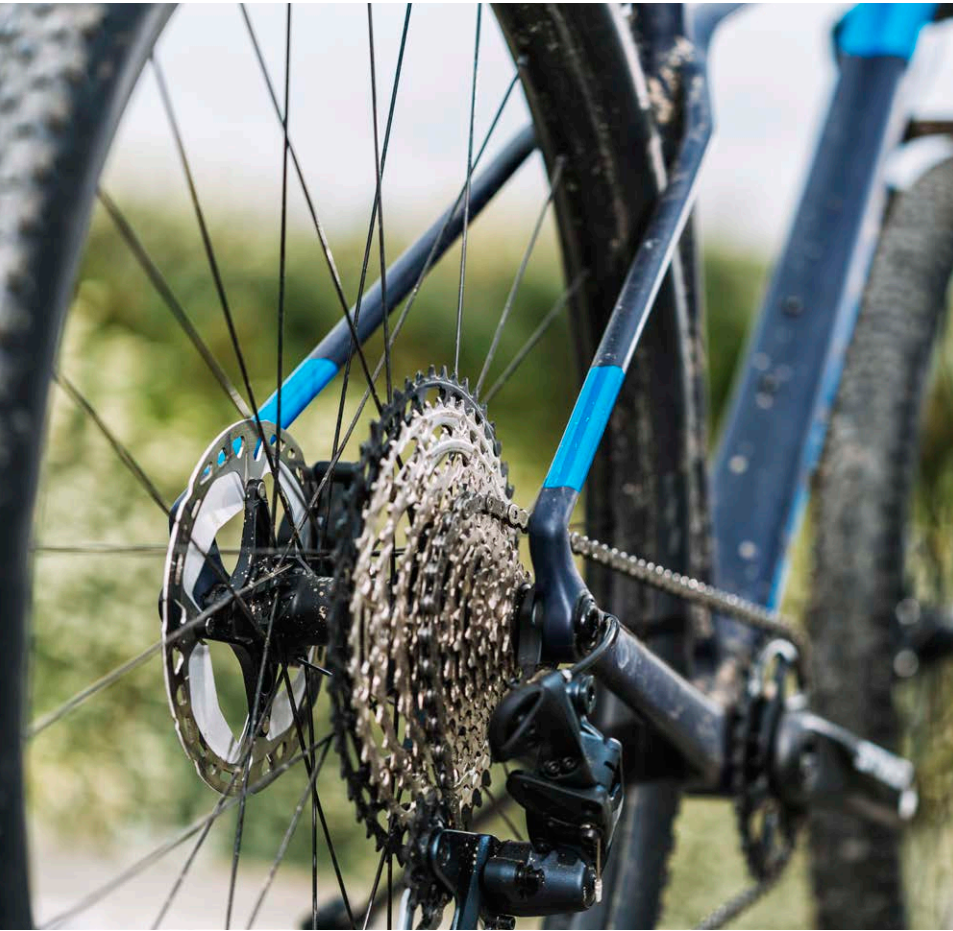
SPECS



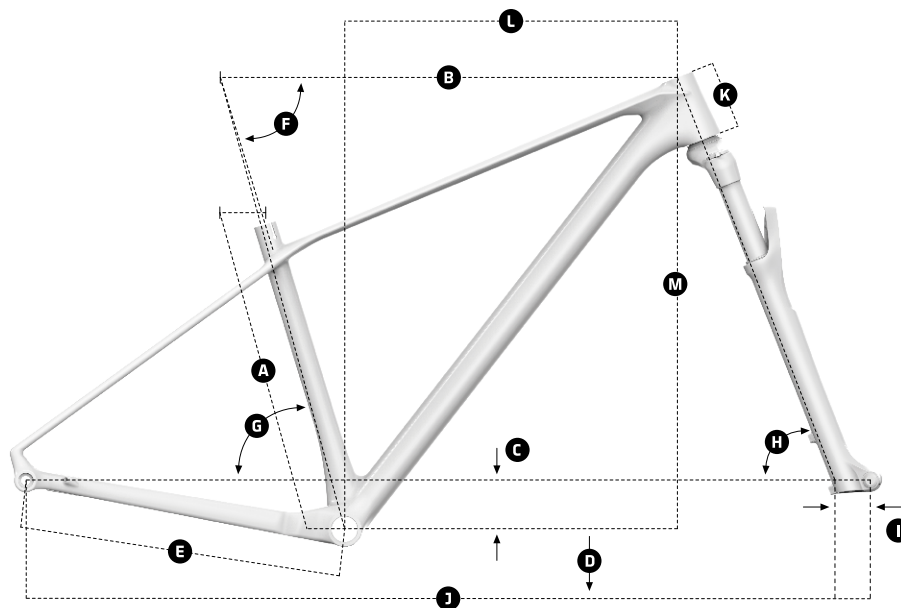
PODIUM



SPECS







A Seat Tube Length

B Top Tube Length

C Bottom Bracket Drop

D Bottom Bracket Height

E Chainstay Length

F Seat Tube Angle, Actual

G Seat Tube Angle, Effective

H Head Tube Angle

I Fork Offset

J Wheelbase

K Head Tube Length

L Reach

M Stack

PODIUM

S	M	L	XL
A 390 mm	420 mm	470 mm	510 mm
B 590 mm	611 mm	632 mm	650 mm
C -65 mm	-65 mm	-65 mm	-65 mm
D 305 mm	305 mm	305 mm	305 mm
E 430 mm	430 mm	430 mm	430 mm
F 73°	73°	73°	73°
G 74.5°	74.5°	74.5°	74.5°
H 68.5°	68.5°	68.5°	68.5°
I 44 mm	44 mm	44 mm	44 mm
J 1107 mm	1128 mm	1150 mm	1170 mm
K 85 mm	90 mm	100 mm	115 mm
L 425 mm	444 mm	463 mm	477 mm
M 598 mm	602 mm	611 mm	625 mm





X C P R O

Designed to perform in the mountains or on the racetrack, the Chrono follows in the Podiums footsteps, but doesn't sit in its shadow.

Constructed using high-performance components, 29" wheels and 100mm travel forks, the Chrono is designed and built around an agile, lightweight, XC Forward Geometry frame that combine comfort with performance, for on the trail or racetrack enjoyment.



XC PRO RANGE





CHRONO CARBON



SPECS

XC PRO



CHRONO CARBON RR



SPECS

CHRONO CARBON R



SPECS





CHRONO R / COLOR 2



SPECS

XC PRO

CHRONO R / COLOR 1



SPECS





CHRONO / COLOR 1



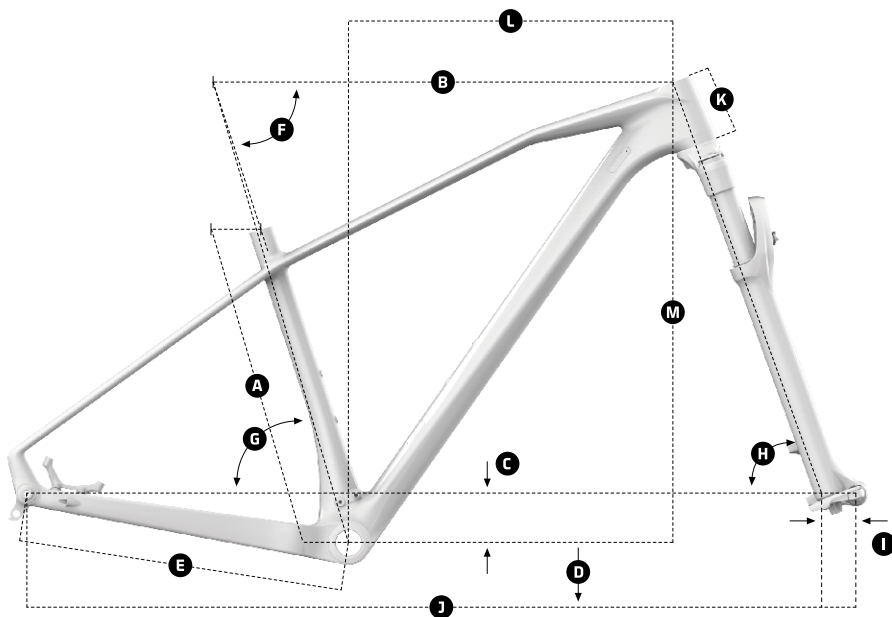
SPECS

CHRONO / COLOR 2



SPECS





- | | | |
|--------------------------------|-------------------------------------|---------------------------|
| A Seat Tube Length | F Seat Tube Angle, Actual | K Head Tube Length |
| B Top Tube Length | G Seat Tube Angle, Effective | L Reach |
| C Bottom Bracket Drop | H Head Tube Angle | M Stack |
| D Bottom Bracket Height | I Fork Offset | |
| E Chainstay Length | J Wheelbase | |

CHRONO CARBON

S	M	L	XL
A 395 mm	430 mm	470 mm	520 mm
B 590 mm	610 mm	630 mm	650 mm
C -65 mm	-65 mm	-65 mm	-65 mm
D 305 mm	305 mm	305 mm	305 mm
E 430 mm	430 mm	430 mm	430 mm
F 72°	72°	72°	72°
G 73.5°	73.5°	73.5°	73.5°
H 70°	70°	70°	70°
I 44 / 51 mm	44 / 51 mm	44 / 51 mm	44 / 51 mm
J 1086 mm	1106 mm	1127 mm	1148 mm
K 85 mm	90 mm	100 mm	115 mm
L 411 mm	430 mm	447 mm	463 mm
M 605 mm	610 mm	619 mm	632 mm

CHRONO

S	M	L	XL
A 395 mm	430 mm	470 mm	520 mm
B 590 mm	610 mm	630 mm	650 mm
C -65 mm	-65 mm	-65 mm	-65 mm
D 305 mm	305 mm	305 mm	305 mm
E 435 mm	435 mm	435 mm	435 mm
F 72.5°	72.5°	72.5°	72.5°
G 73.5°	73.5°	73.5°	73.5°
H 70°	70°	70°	70°
I 44 / 46 mm	44 / 46 mm	44 / 46 mm	44 / 46 mm
J 1087 mm	1107 mm	1127 mm	1148 mm
K 100 mm	100 mm	110 mm	125 mm
L 406 mm	426 mm	444 mm	460 mm
M 618 mm	618 mm	628 mm	642 mm



DT SWISS

57231

DT2



All information and pictures on this catalogue is provided for information purposes only and does not constitute a legal contract between Mondraker and any person or entity. Specifications, geometries or any other technical information published is subject to change without prior notice.

© All trademarks and models are property of Blue Factory Team, S.L.U. and are protected by current laws and applicable international agreements.





2 0 2 2
KIDS





INDEX | BIKE 2022

KIDS

Factor 26 / Factor 24

Leader 26 / Leader 24 / Leader 20 / Leader 16

e-MTB KIDS

F-Play 26 / F-Play 24 / Play 26 / Play 24 / Play 20

Grommy 16 / Grommy 12





K I D S

If this was an inspirational quote on an Instagram page it would probably say something about how 'children are the future' but it isn't so let's get down to the nuts and bolts of it: your children will be the ones choosing your nursing home. Do you want them making that decision whilst still harbouring ill feelings because you bought them a shonky bike when they were young? Of course not, so choose wisely and invest in their fun and in your future!



KIDS RANGE

KIDS

FACTOR 26



SPECS



FACTOR 24



SPECS



KIDS



LEADER 26



SPECS



LEADER 24



SPECS

KIDS



LEADER 20



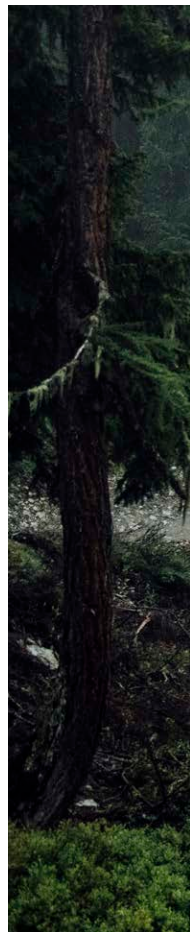
SPECS



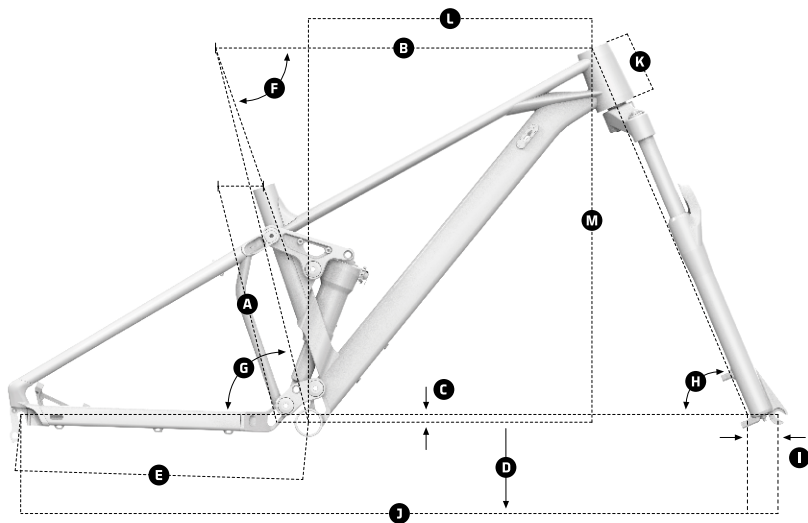
LEADER 16



SPECS

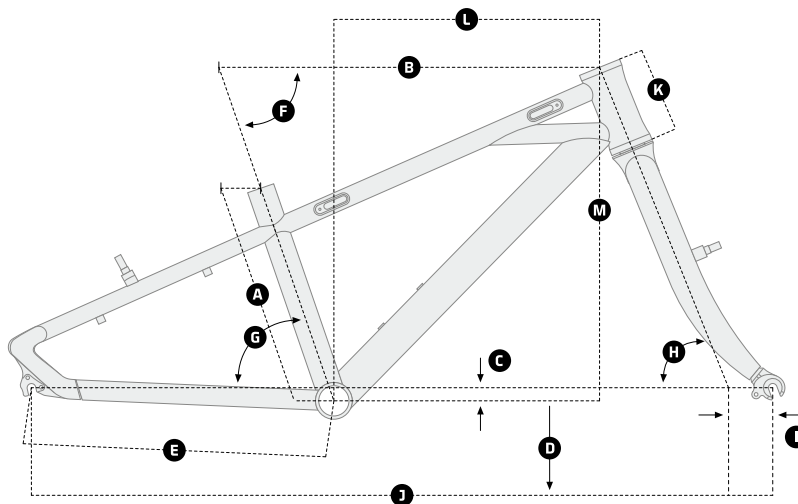






FACTOR 26 / 24

Size	26	24
A Seat Tube Length	350 mm	320 mm
B Top Tube Length	550 mm	510 mm
C Bottom Bracket Drop	-10 mm	-10 mm
D Bottom Bracket Height	320 mm	295 mm
E Chainstay Legth	420 mm	420 mm
F Seat Tube Angle, Actual	71°	71°
G Seat Tube Angle, Effective	76°	76°
H Head Tube Angle	67°	67°
I Fork Offset	41 mm	41 mm
J Wheelbase	1105 mm	1064 mm
K Head Tube Length	90 mm	90 mm
L Reach	415 mm	375 mm
M Stack	545 mm	513 mm



LEADER 26 / 24 / 20 / 16

Size	26	24	20	16
A Seat Tube Length	350 mm	320 mm	260 mm	215 mm
B Top Tube Length	565 mm	510 mm	440 mm	395 mm
C Bottom Bracket Drop	-30 mm	-30 mm	-15 mm	-10 mm
D Bottom Bracket Height	285 mm	280 mm	240 mm	190 mm
E Chainstay Legth	420 mm	395 mm	350 mm	310 mm
F Seat Tube Angle, Actual	71°	71°	71°	69°
G Seat Tube Angle, Effective	71°	71°	71°	69°
H Head Tube Angle	68°	68°	68°	69°
I Fork Offset	40 mm	40 mm	45 mm	30 mm
J Wheelbase	1050 mm	964 mm	855 mm	733 mm
K Head Tube Length	100 mm	100 mm	100 mm	100 mm
L Reach	377 mm	340 mm	307 mm	265 mm
M Stack	553 mm	493 mm	386 mm	338 mm





E - M T B K I D S

Ebikes? For kids? Whatever next? Well, we can tell you what next, next is longer rides with your kids than you ever thought possible, next is more adventures, next is more smiles (even uphill!) and next is more amazing outdoor family time in a healthy, wholesome and fun way. Who can question that?



E-MTB KIDS RANGE

E-MTB KIDS



F-PLAY 26



SPECS

F-PLAY 24



SPECS



PLAY 26



SPECS





E-MTB KIDS



PLAY 24



SPECS



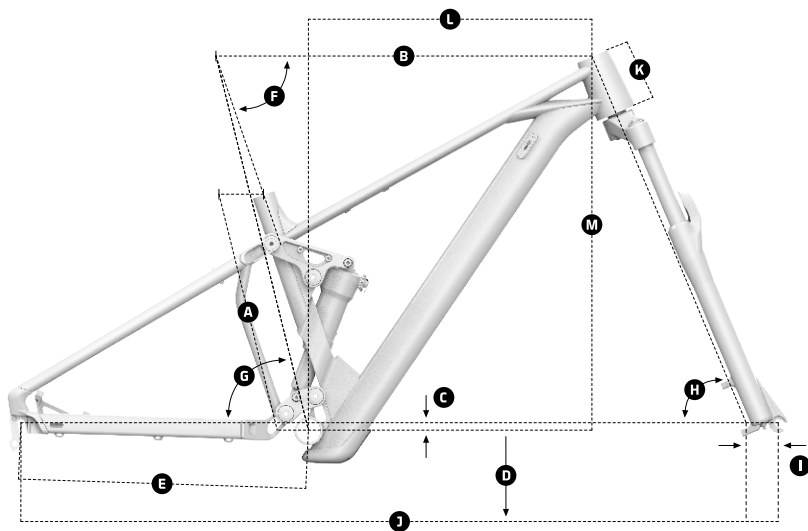
PLAY 20



SPECS

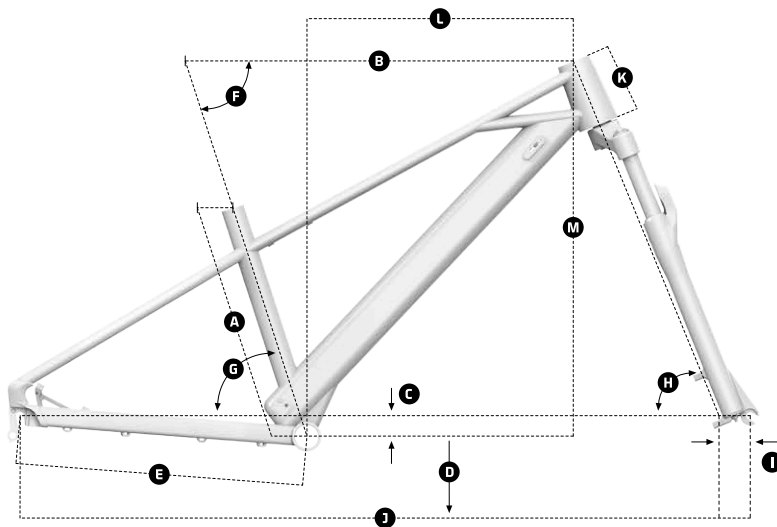






F-PLAY 26 / 24

Size	26	24
A Seat Tube Length	350 mm	320 mm
B Top Tube Length	550 mm	525 mm
C Bottom Bracket Drop	-10 mm	-10 mm
D Bottom Bracket Height	320 mm	295 mm
E Chainstay Legth	420 mm	420 mm
F Seat Tube Angle, Actual	71°	71°
G Seat Tube Angle, Effective	76°	76°
H Head Tube Angle	67°	67°
I Fork Offset	41 mm	40 mm
J Wheelbase	1104 mm	1050 mm
K Head Tube Length	90 mm	90 mm
L Reach	415 mm	375 mm
M Stack	545 mm	513 mm



PLAY 26 / 24 / 20

Size	26	24	20
A Seat Tube Length	350 mm	320 mm	260 mm
B Top Tube Length	567 mm	517 mm	475 mm
C Bottom Bracket Drop	-30 mm	-30 mm	-15 mm
D Bottom Bracket Height	300 mm	280 mm	240 mm
E Chainstay Legth	420 mm	405 mm	355 mm
F Seat Tube Angle, Actual	72°	72°	72°
G Seat Tube Angle, Effective	72°	72°	72°
H Head Tube Angle	68°	68°	68°
I Fork Offset	40 mm	40 mm	40 mm
J Wheelbase	1060 mm	994 mm	903 mm
K Head Tube Length	100 mm	100 mm	100 mm
L Reach	390 mm	350 mm	340 mm
M Stack	546 mm	537 mm	387 mm





GROMMY 16



SPECS





E-MTB KIDS



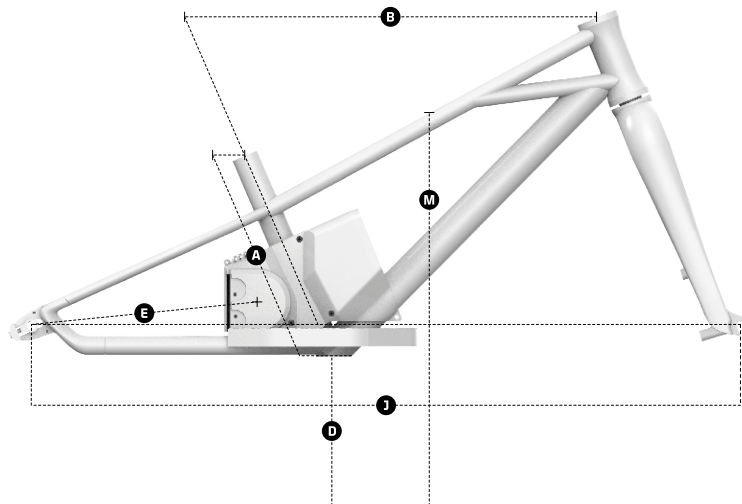
GROMMY 12



SPECS

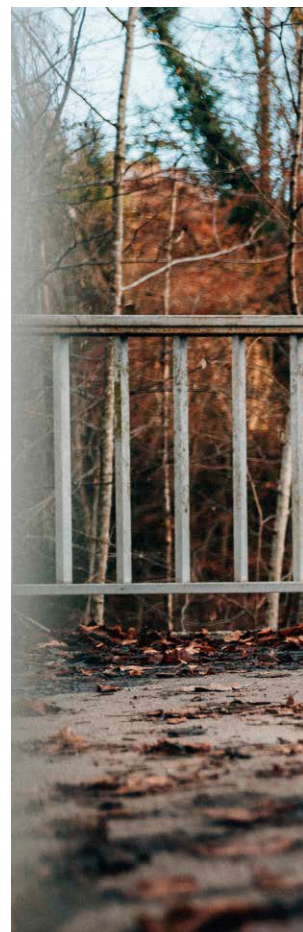






GROMMY 16 / 12

Size	16	12
A Seat Tube Length	215 mm	155 mm
B Top Tube Length	465 mm	400 mm
C Bottom Bracket Drop	---	---
D Bottom Bracket Height	180 mm	150 mm
E Chainstay Legth	340 mm	285 mm
F Seat Tube Angle, Actual	---	---
G Seat Tube Angle, Effective	---	---
H Head Tube Angle	---	---
I Fork Offset	---	---
J Wheelbase	810 mm	695 mm
K Head Tube Length	---	---
L Reach	---	---
M Stack	400 mm	345 mm









All information and pictures on this catalogue is provided for information purposes only and does not constitute a legal contract between Mondraker and any person or entity. Specifications, geometries or any other technical information published is subject to change without prior notice.

© © All trademarks and models are property of Blue Factory Team, S.L.U. and are protected by current laws and applicable international agreements.



MONDRAKER.COM